

HT3 Torque Multiplier

- 5:1 torque multiplication, accuracy guaranteed better than $\pm 4\%$.
- Supplied with two reaction bar styles for maximum versatility.
- Robust construction means minimal maintenance and long life.
- Supplied in a carrying case, the Highwayman is ideal for inclusion in the heavy vehicle tool kit.
- 1300 N.m version has a spare 3/4" output square included in the kit.
- Multiplier head only (no reaction bars or plastic box) also available. 1300 N.m version, part no. 17218. 2700 N.m version, part no. 17219.



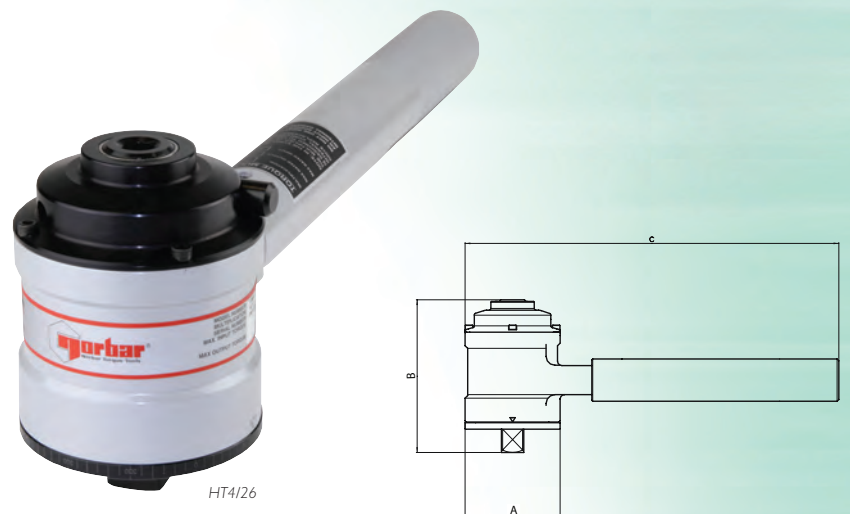
HT3 Torque Multiplier

Model	Part No.	Range		Ratio	Input Square	Output Square	A	B	C	D	Tool Weight	Reaction Weight
		N.m	lbf.ft		in	in	mm	mm	mm	mm		
HT3 1300 N.m Version Kit	17220	1300	960	5:1	½	¾	108	126	210	180	3.8	1.3
HT3 2700 N.m Version Kit	17221	2700	2000	5:1	¾	1	108	128	210	186	3.8	1.3

Weight of entire kit, 7.1kg.

HT4 Torque Multiplier

- True 15.5:1 or 26:1 torque multiplication, accuracy guaranteed better than $\pm 4\%$.
- High ratios allow the use of a small torque wrench.
- Robust construction means minimal maintenance and long life.
- Supplied in carrying case with replacement square drive.
- Anti Wind-Up Ratchet (Anti Backlash) fitted to allow safer and more practical operation.
- Angle protractor for easy torque and angle tightening.



HT4 Torque Multiplier

Model	Part No.	Range		Ratio	Input Square	Output Square	A	B	C	Tool Weight	Reaction Weight
		N.m	lbf.ft		in	in	mm	mm	mm		
HT4/15.5	17022	3000	2200	15.5:1	½	1	108	156	450	6.1	1.9
HT4/26	17021	4500	3300	26:1	½	1	108	173	450	7.0	1.9