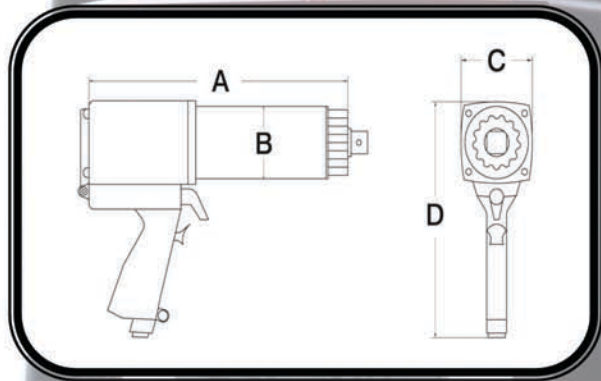


# TWO Speed PNEUMATIC NUT RUNNER

The RAD High Speed Series torque wrenches incorporate a precision engineered high speed gear box designed for faster run down on time sensitive bolting applications

TOOL MODEL	DRIVE SIZE "	TORQUE (FT.LBS)		RPM	WEIGHT Kg	NOISE LEVEL	DIM A mm	DIM B mm	DIM C mm	DIM D mm
		LOW	HIGH							
10GX-2	3/4	350	1000	85	4.5	80 DB	262	64	70	206
15DX-2	1.0	500	1500	50	4.7	80 DB	252	69	70	206
25GX-2	1.0	700	2500	44	7.5	80 DB	305	79	84	254



- ✓ The Ultimate in Power-to-weight Ratio
- ✓ Versatile Torque Ranges:300-2,500ft.lbs
- ✓ Extreme Torque with High RPM Productivity



10GX-2